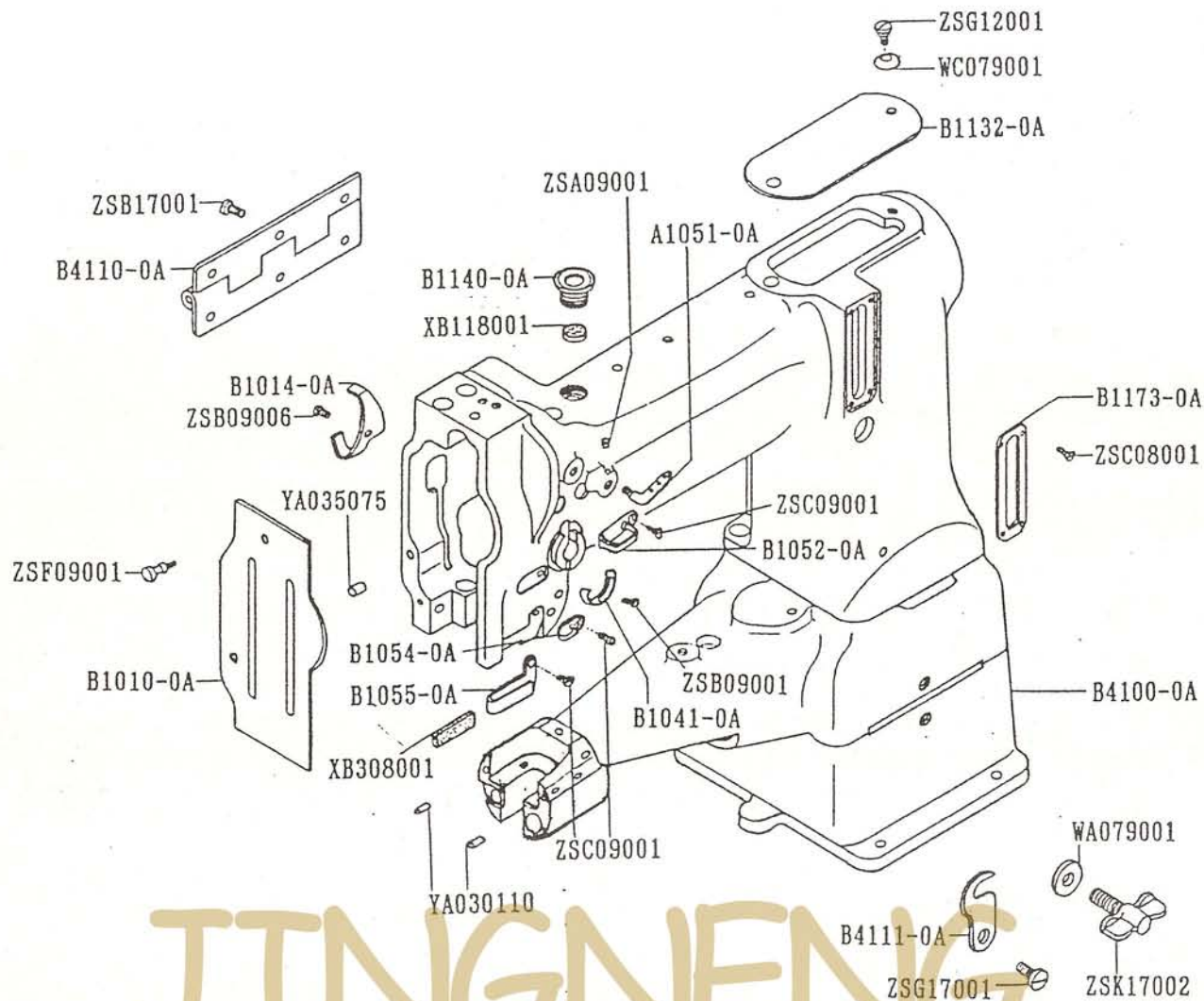


MODEL : XL-8B

索引	INDEX	PAGE
A. 本體機構	ARM BED AND ITS ACCESSORIES	2 - 3
B. 針棒 . 縫線壓力調整機構	NEEDLE BAR AND UPPER THREAD TENSION REGULATING MECHANISM	4 - 5
C. 上軸機構	UPPER SHAFT MECHANISM	6 - 7
D. 押腳機構	PRESSER FOOT MECHANISM	8 - 9
E. 上部送料機構	FEED ROTATING SHAFT MECHANISM	10 - 11
F. 縫目調整機構	STITCH REGULATOR MECHANISM	12 - 13
G. 皮帶傳動機構	TIMING BELT DRIVING MECHANISM	14 - 15
H. 釜機構	ROTARY HOOK MECHANISM	16 - 17
I. 送料機構	FEEDING MECHANISM	18 - 19
J. 附件	ACCESSORIES	20 - 21
K. 零件號碼與頁數對照表	NUMERICAL PARTS-LIST	22 - 24

JING NENG
东莞市精能针车机械有限公司

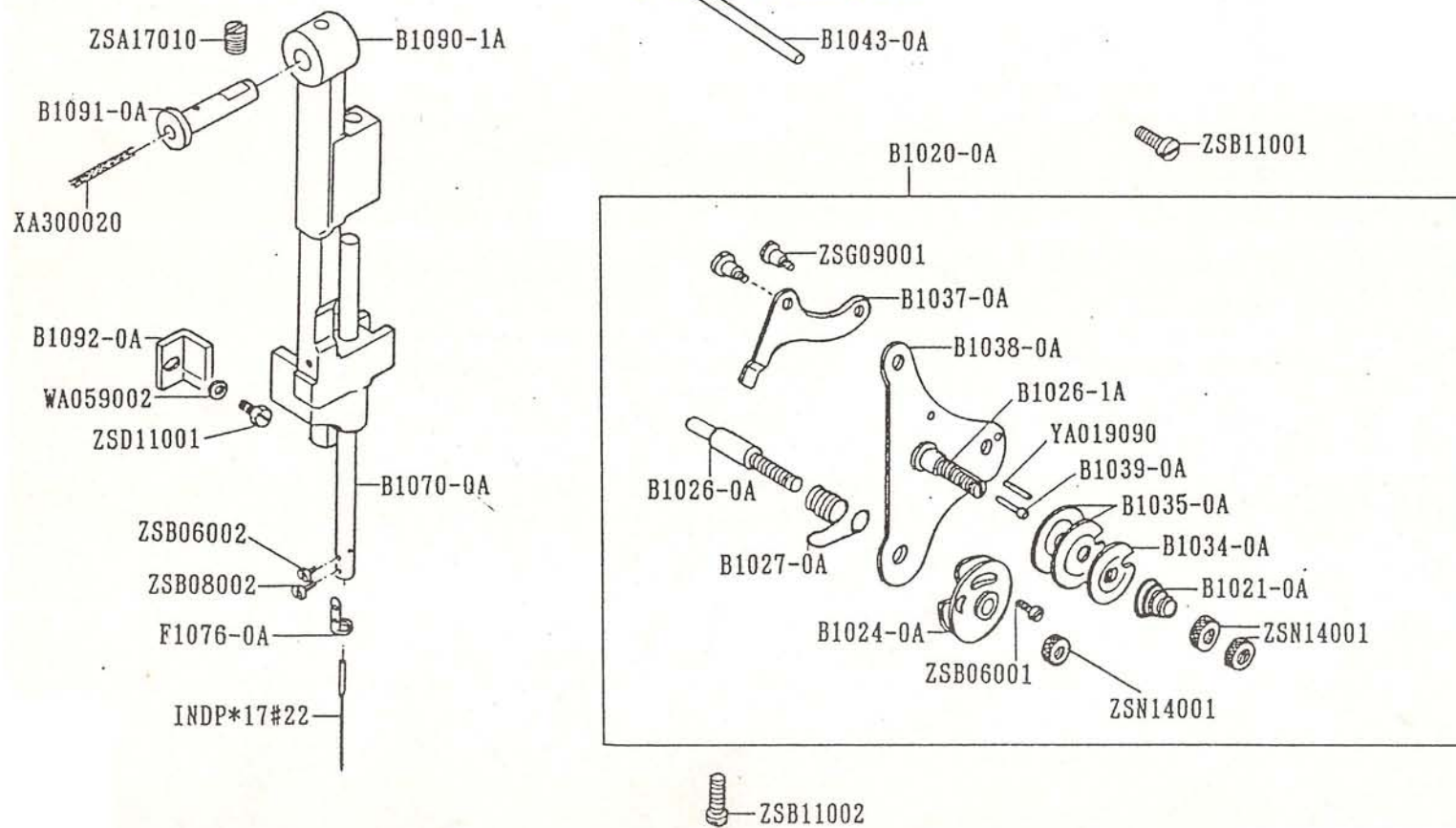
A. 本體機構 ARM BED AND ITS ACCESSORIES



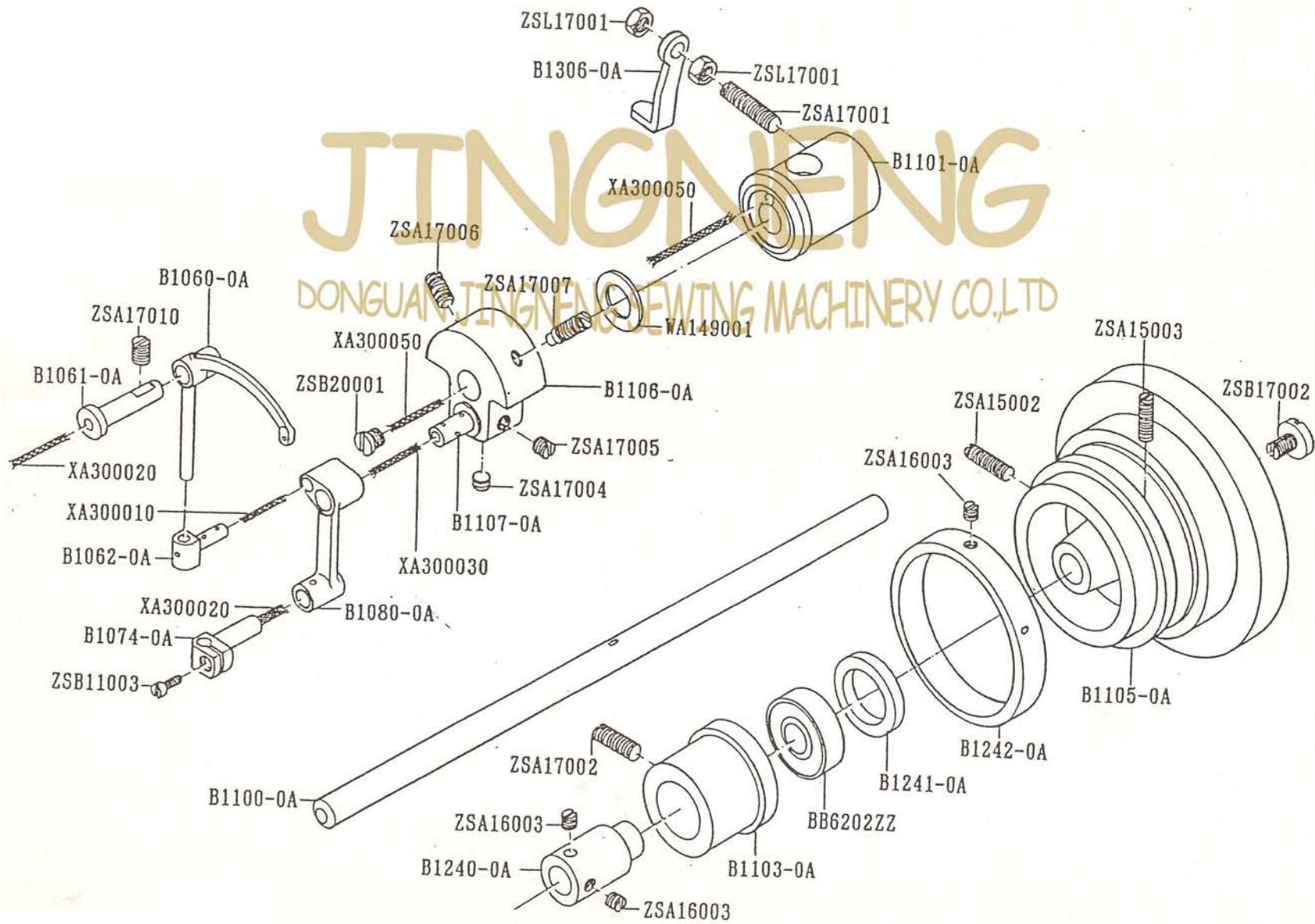
JINGNENG
DONGUAN JINGNENG SEWING MACHINERY CO.,LTD

B. -8BH 針棒.縫線壓力調整機構
 NEEDLE BAR AND UPPER THREAD TENSION REGULATING MECHANISM

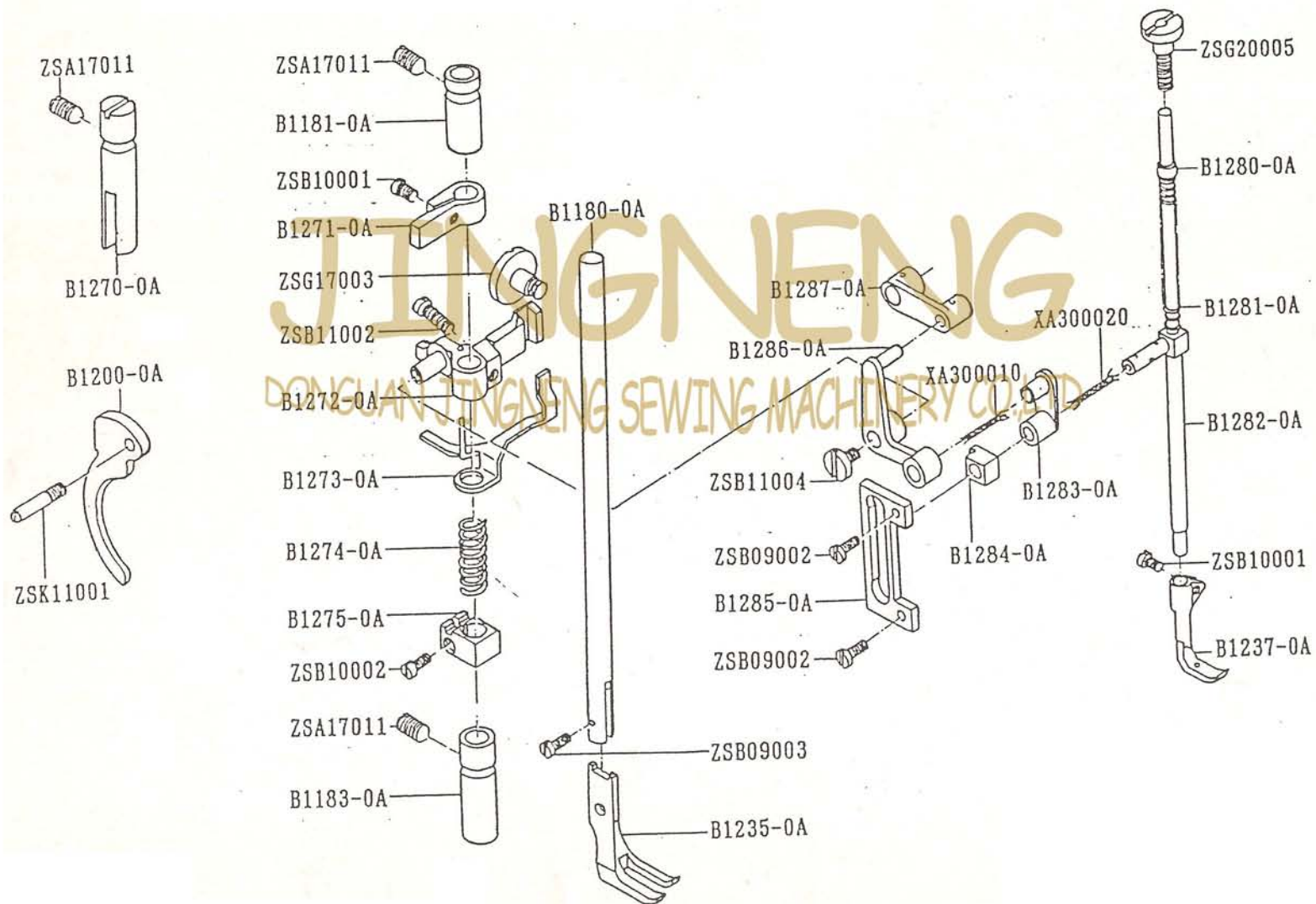
JINGNENG
 DONGUAN JINGNENG SEWING MACHINERY CO.,LTD



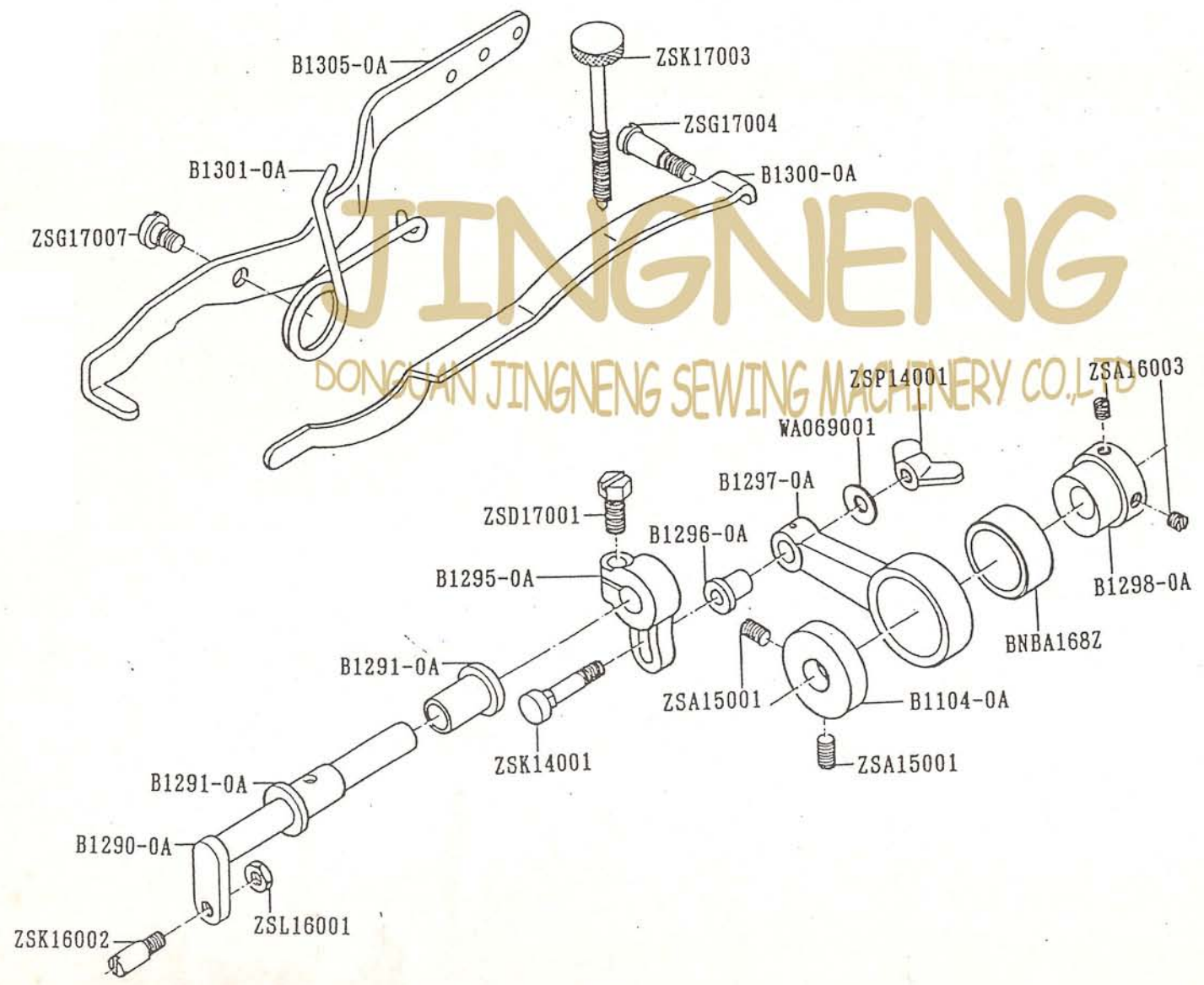
C. 8BH 上軸機構 UPPER SHAFT MECHANISM



D. 8BH 押脚机构 PRESSER FOOT MECHANISM

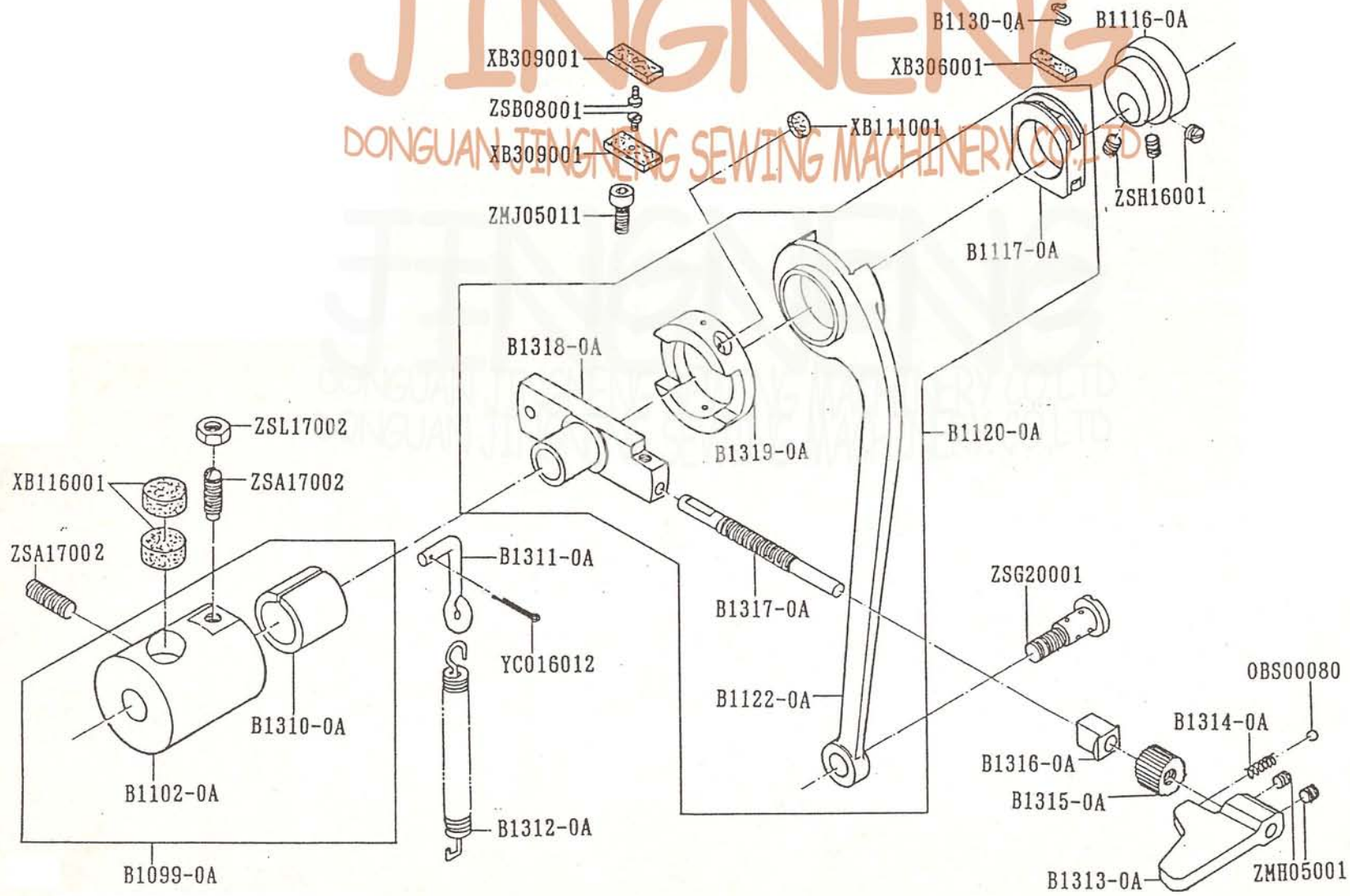


E. 8BH 上部送料機構 FEED ROTATING SHAFT MECHANISM

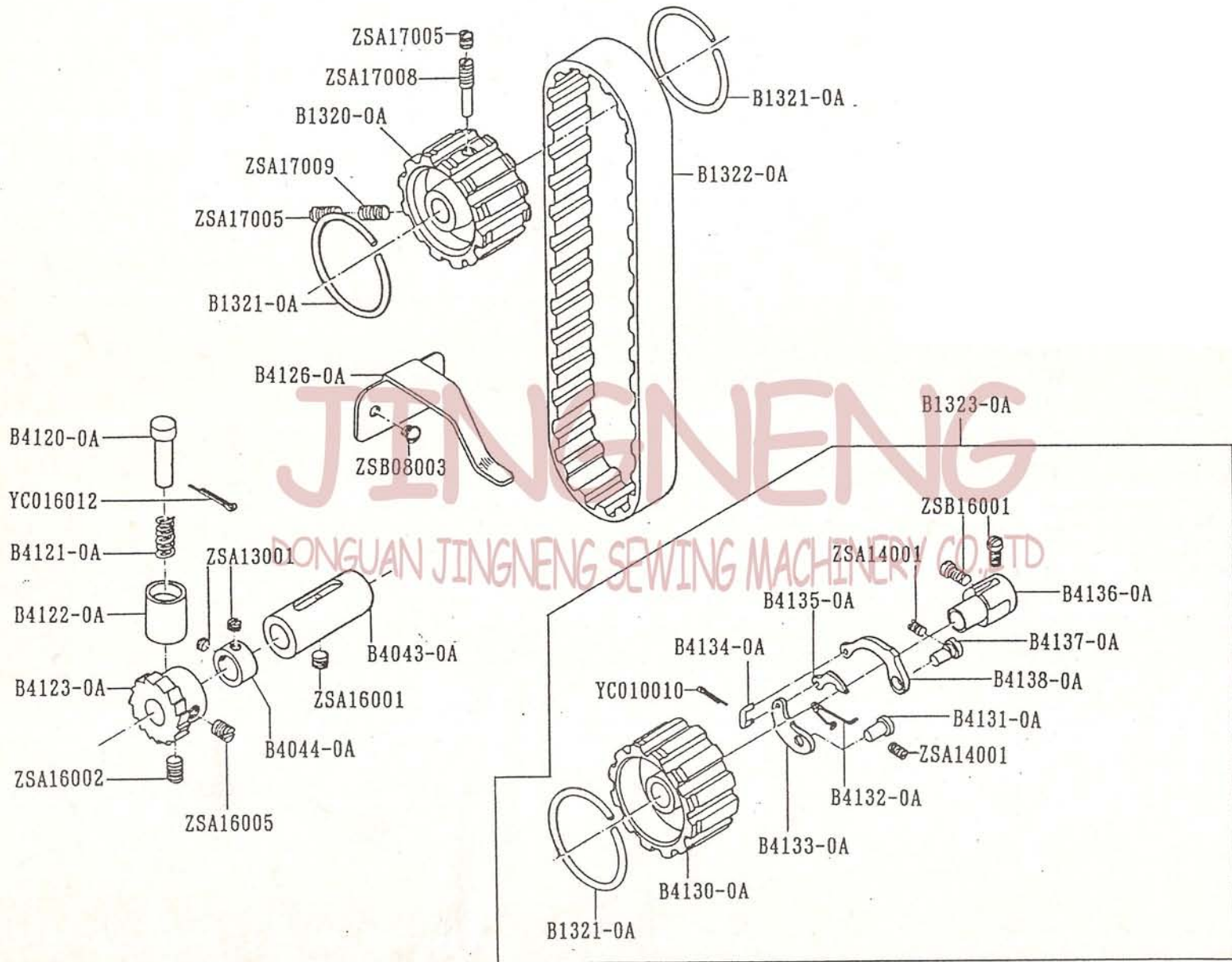


F. 8BH 縫目調整機構 STITCH REGULATOR MECHANISM

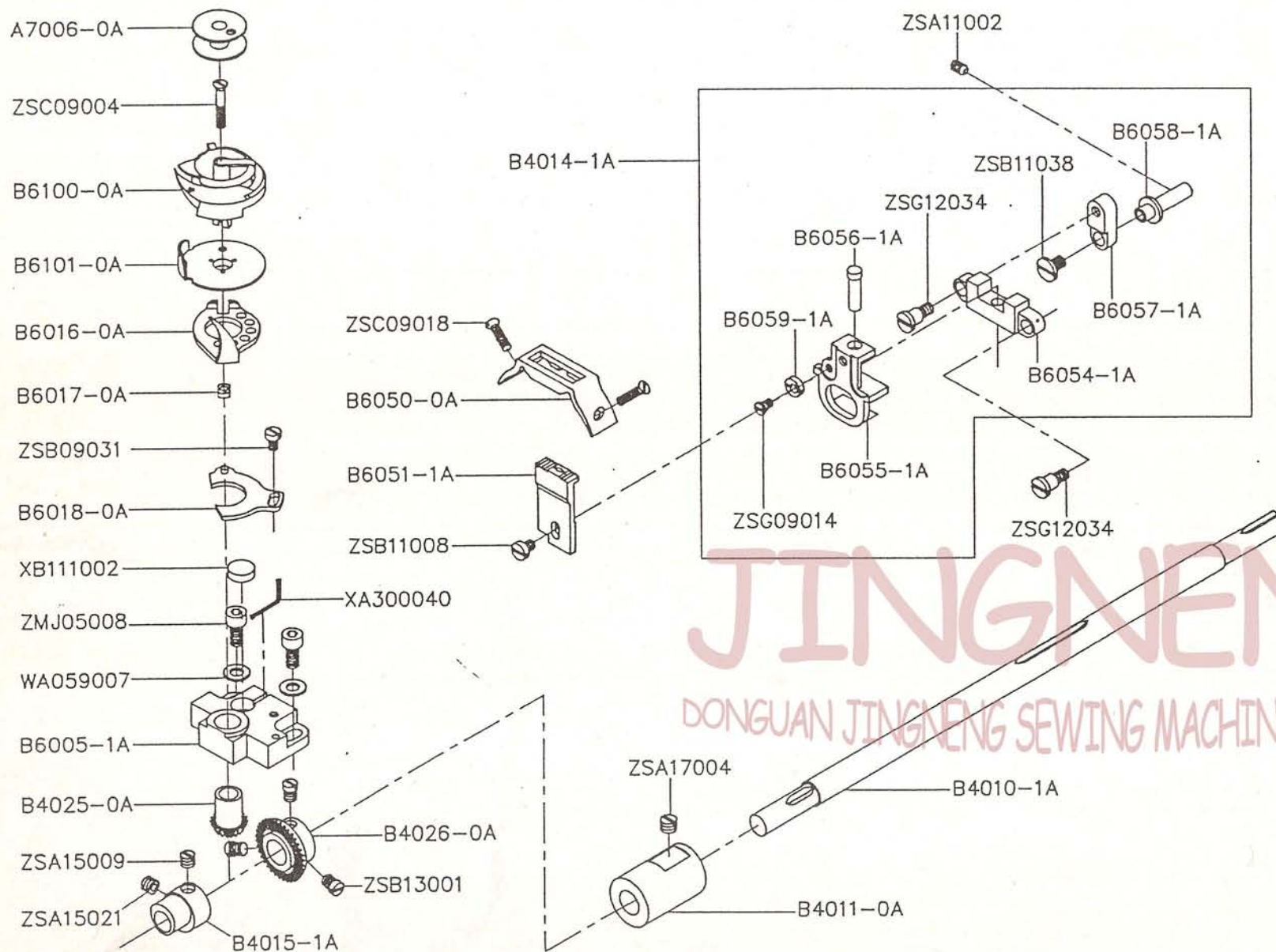
JINGNENG
DONGUAN JINGNENG SEWING MACHINERY CO., LTD.



G. 8BH 皮帶傳動機構 TIMING BELT DRIVING MECHANISM

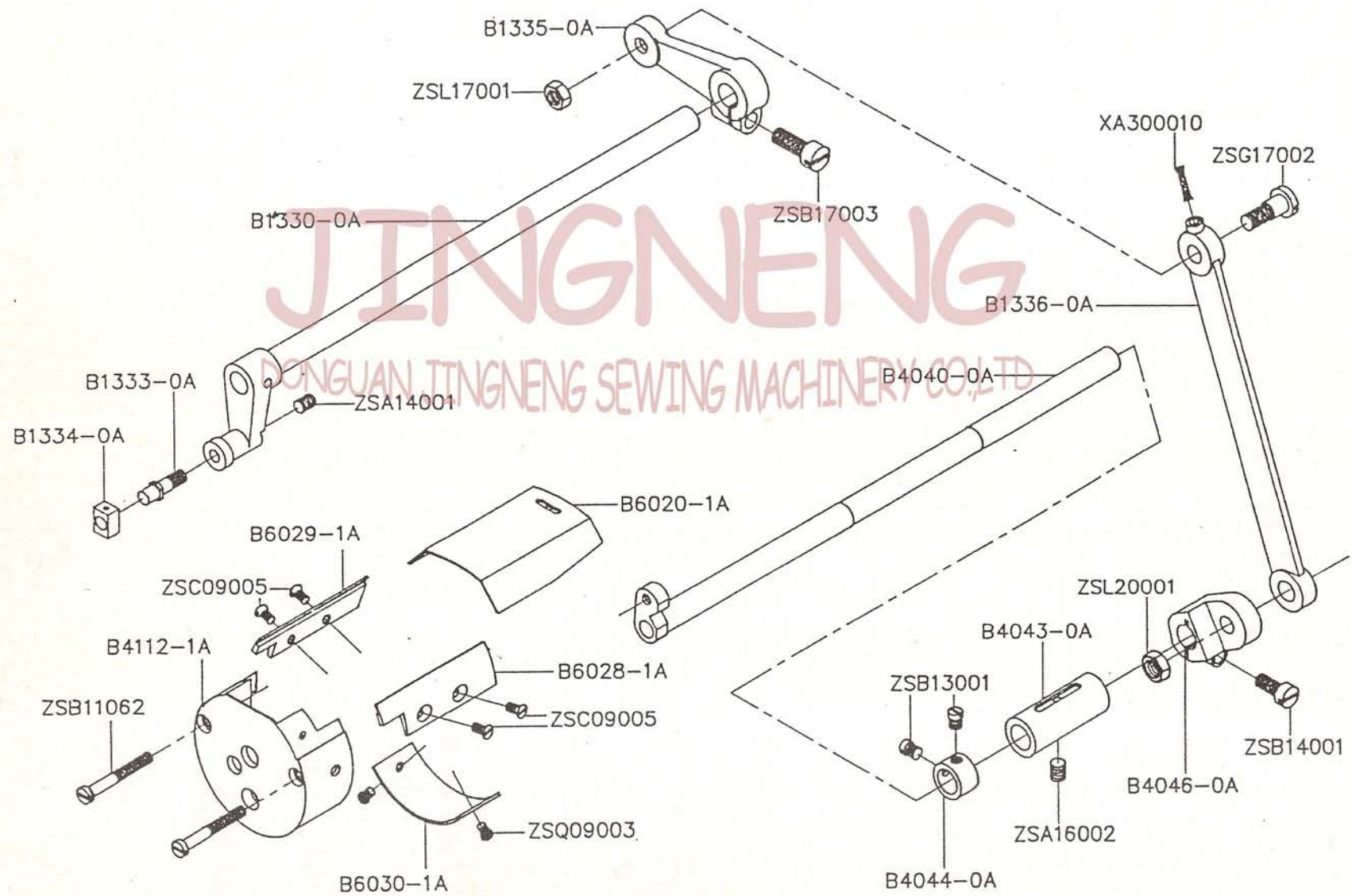


H. 8BH 釜機構 ROTARY HOOK MECHANISM



JINGNENG
DONGUAN JINGNENG SEWING MACHINERY CO.,LTD

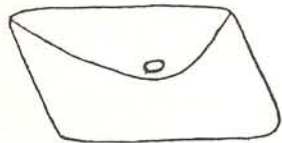
I. 8BH 送料機構 FEEDING MECHANISM



J. 8BH 附件 ACCESSORIES

JINGNENG

DONGJUAN JINGNENG SEWING MACHINERY CO., LTD.



A7000-0A



A7001-0A



B7025-0A



A7010-0A



A7010-1A



A7010-2A



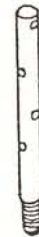
ZSQ16001



WA069001



ZSL16009



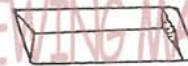
B1050-0A



ZML06001



A7006-0A



INDP*17#22



A7011-0A



ZMT05001



WA059003



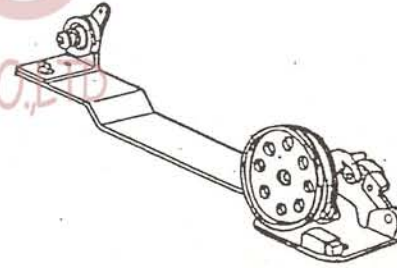
A7012-1A



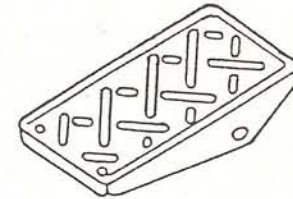
A7011-1A



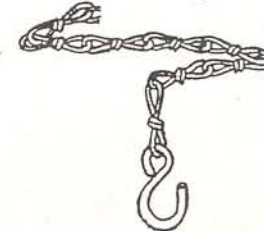
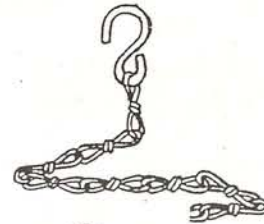
A7012-0A



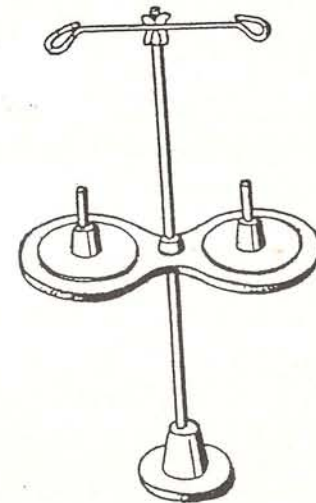
A7040-0A



B7070-1A



B7060-0A



A7050-0A